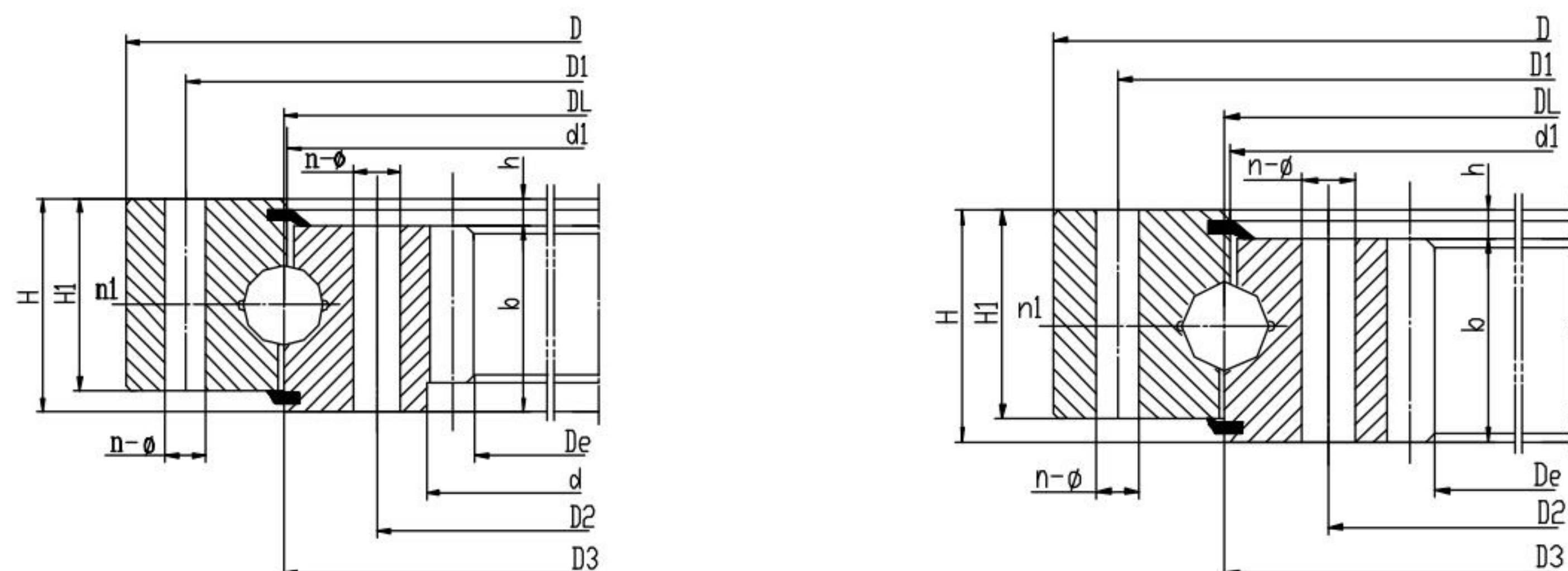


# Internal-toothed Single Four Point Contact Slewing Bearings

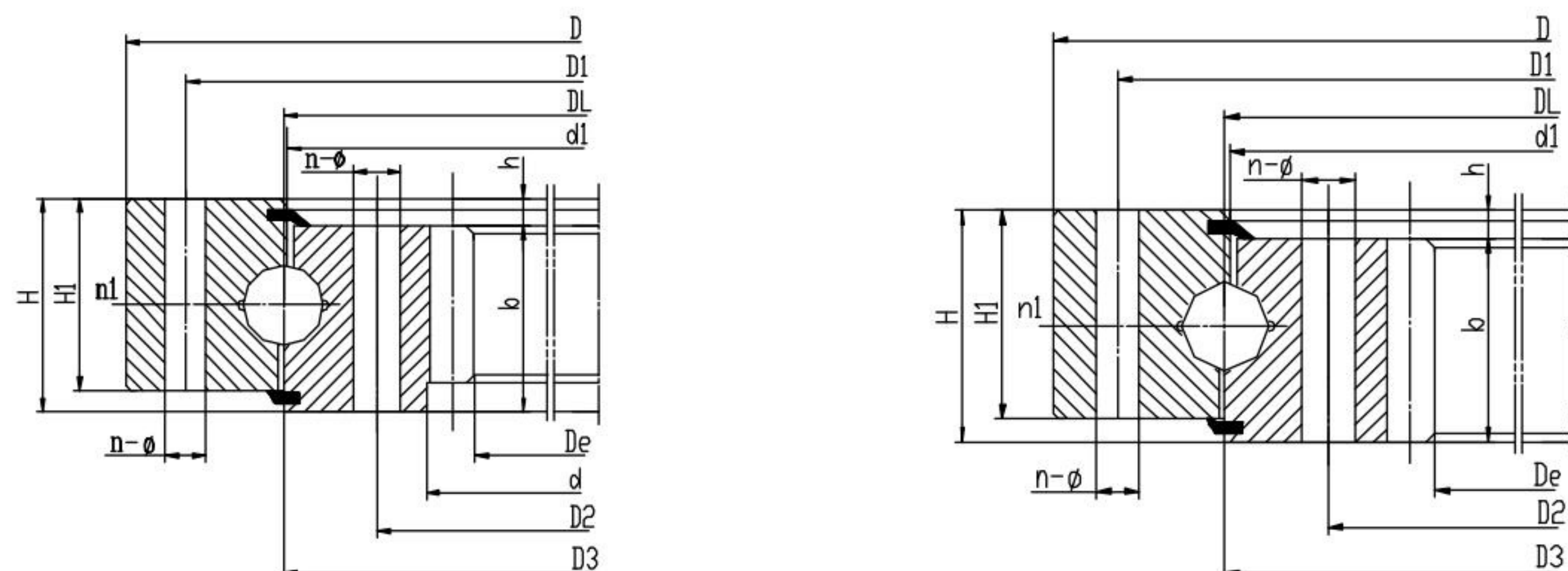


NOTE:

1. n1 is the number of lubricating oil holes, the customer can specify the location of oil holes according to the use situation.
2. n-φ can be changed into thread hole, thread diameter M, thread depth 2M.
3. The specifications in this sample are standard products, please contact SINOFOUV for any other special requirements.

Bearing Part Number	Boundary Dimensions				Mounting Hole Dimensions				Configuration Dimensions						Gear Parameter				Weight kg
	De	D	d	H	D1	D2	n	φ	D3	d1	H1	h	n1	M	m	Z	b	x	
	mm				mm														
HSN400	300	475		55	448	352	16	13.5	401	339	46	9	2	14	5	61	46	+0.5	33
HSN450	345	531		55	500	400	16	15.5	451	449	46	9	2	14	5	70	46	+0.5	38
HSN480	380	573	400	55	538	420	16	16	478.5	481.5	45	5	2	14	4	96	45	+0.5	49
HSN489	388	562	408	60	538	440	24	13.5	487.5	490.5	50	10	12	22	4	99	43	0	44.9
HSN500	367	602	398	80	566	434	20	18	501	498	70	10	4	16	5	74	60	+0.5	90
HSN500M	368.4	602	398	80	566	434	20	18	501	498	70	10	4	16	6	62	60	+0.5	90
HSN560	450	641		55	610	510	20	15.5	561	559	46	9	4	14	6	76	46	+0.5	51
HSN560R	427	662	458	80	626	494	20	18	561	558	70	10	4	16	5	86	60	+0.5	102
HSN560RM	428.4	662	458	80	626	494	20	18	561	558	70	10	4	16	6	72	60	+0.5	102
HSN567.5	471.5	640	496	55	615	520	20	13.5	567.5	567.5	45	10	1	12	5	96	44.5	0.15	49.2
HSN630	494.4	732	528	80	696	564	24	18	631	628	70	10	4	16	6	83	60	+0.5	116
HSN630M	491.2	732	528	80	696	564	24	18	631	628	70	10	4	16	8	62	60	+0.5	116
HSN710	594	797		55	762	658	24	18	711	709	46	9	4	16	6	100	46	+0.5	68
HSN710R	572.4	812	608	80	776	644	24	18	711	708	70	10	4	16	6	96	60	+0.5	132
HSN720	582	820	620	80	780	660	18	18	721	719	70	10	12	16	6	99	60	0	125
HSN800	635.2	922	678	100	878	722	30	22	801	798	90	10	6	20	8	80	80	+0.5	224
HSN800M	634	922	678	100	878	722	30	22	801	798	90	10	6	20	10	64	80	+0.5	224
HSN886	752	980		63	944	827	36	18	887	885	54	9	4	16	8	95	54	+0.5	111
HSN900	739.2	1022	778	100	978	822	30	22	901	898	90	10	6	20	8	93	80	+0.5	252
HSN900M	734	1022	778	100	978	822	30	22	901	898	90	10	6	20	10	74	80	+0.5	252
HSN1000	824	1122	878	100	1078	922	36	22	1001	998	90	10	6	20	10	83	80	+0.5	292
HSN1000M	820.8	1122	878	100	1078	922	36	22	1001	998	90	10	6	20	12	69	80	+0.5	292
HSN1077	930	1169		63	1134	1017	36	18	1078	1076	54	9	6	16	10	94	54	+0.5	140
HSN1050	888.6	1170	920	98	1125	975	40	22	1040	1052	80	10	2	20	8	150	60	0	248
HSN1086S	920	1200		90	1158	940	12	20	1086	1090	80	10	4	18	10	94	80	0	320
HSN1094C	984	1166		56	1140	1055	60	13.5	1095.5	1092.5	45	11	4	12	8	125	45	0	90.5
HSN1120	960	1232		79	1188	1052	36	22	1121	1118	63	9	6	20	10	97	70	+0.5	206

# Internal-toothed Single Four Point Contact Slewing Bearings

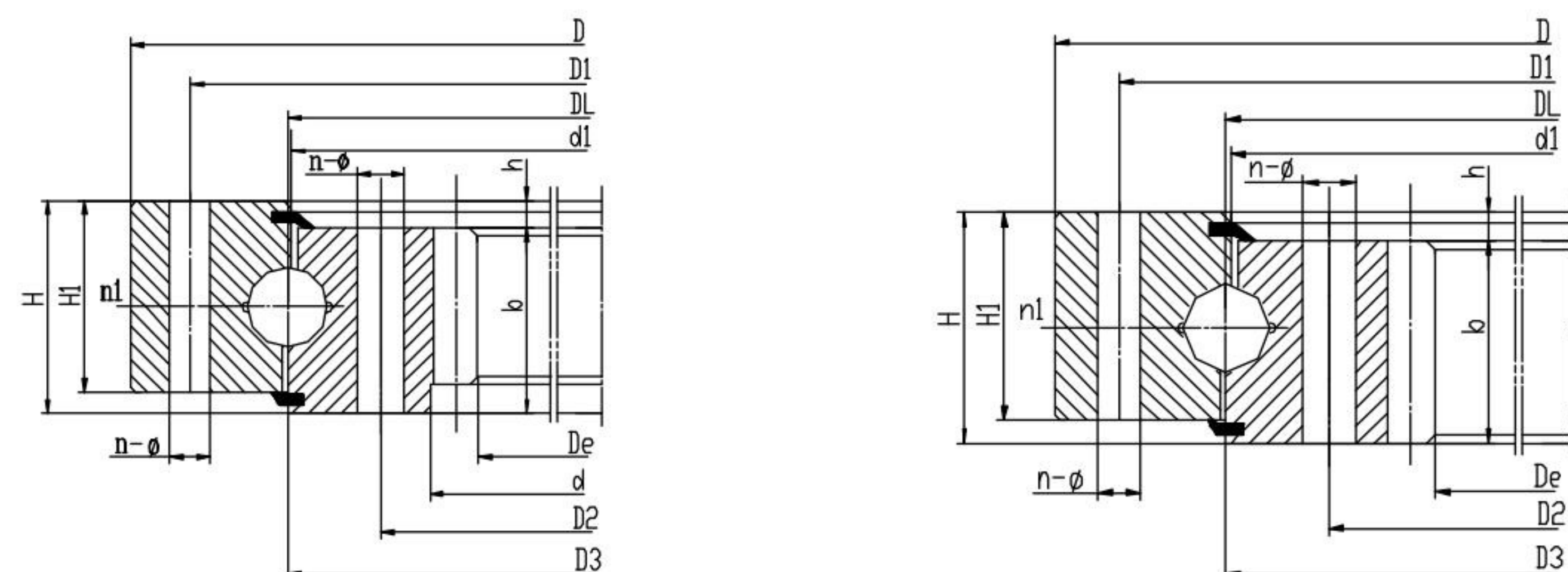


NOTE:

1. n1 is the number of lubricating oil holes, the customer can specify the location of oil holes according to the use situation.
2. n-φ can be changed into thread hole, thread diameter M, thread depth 2M.
3. The specifications in this sample are standard products, please contact SINOFOLIV for any other special requirements.

Bearing Part Number	Boundary Dimensions				Mounting Hole Dimensions				Configuration Dimensions						Gear Parameter				Weight kg
	De	D	d	H	D1	D2	n	φ	D3	d1	H1	h	n1	M	m	Z	b	x	
	mm				mm														
HSN1120R	944	1242	998	100	1198	1042	36	22	1121	1118	90	10	6	20	10	95	80	+0.5	333
HSN1120RM	940.8	1242	998	100	1198	1042	36	22	1121	1118	90	10	6	20	12	79	80	+0.5	333
HSN1220	1017.3	1365		120	1310	1130	36	24	1219	1221	105	15	6	22	12	86	105	+0.35	474
HSN1225	1052	1360		98	1303	1147	40	26	1223	1227	80	10	4	24	10	106	88	+0.5	320
HSN1250	1090	1362		79	1318	1182	40	22	1251	1248	63	9	8	20	10	110	70	+0.5	231
HSN1250R	1048.8	1390	1110	110	1337	1163	40	26	1252	1248	100	10	5	24	12	88	90	+0.5	467
HSN1250RM	1041.6	1390	1110	110	1337	1163	40	26	1252	1248	100	10	5	24	14	75	90	+0.5	467
HSN1535	1278	1695		165	1636	1434	40	30	1533	1537	125	25	4	27	18	72	140	+0.5	930
HSN1400	1224	1512		89	1468	1332	44	22	1401	1398	63	9	11	20	12	103	80	+0.5	296
HSN1400R	1192.8	1540	1260	110	1487	1313	40	26	1402	1398	100	10	5	24	12	100	90	+0.5	529
HSN1400RM	1195.6	1540	1260	110	1487	1313	40	26	1402	1398	100	10	5	24	14	86	90	+0.5	529
HSN1405	1235	1526		122	1481	1358	40	26	1403	1407	97	12	3	24	14	90	110	0	434
HSN1500	1308	1634		94	1582	1418	40	26	1501	1498	81	9	8	24	12	110	85	+0.5	410
HSN1600	1428	1712		89	1668	1532	48	22	1601	1598	63	9	8	20	12	120	80	+0.5	334
HSN1600R	1391.6	1740	1460	110	1687	1513	45	26	1602	1598	100	10	5	24	14	100	90	+0.5	607
HSN1600RM	1382.4	1740	1460	110	1687	1513	45	26	1602	1598	100	10	5	24	16	87	90	+0.5	620
HSN1700	1498	1834		94	1782	1618	44	26	1701	1698	81	9	11	24	14	108	85	+0.5	475
HSN1728	1500.8	1905	1580	117	1810	1640	30	22/26			95	9	10	20/24	14	108	98	+0.5	701
HSN1800	1573.6	1940	1660	110	1887	1713	50	26	1798	1802	100	10	5	24	14	113	90	+0.5	649
HSN1895	1830	1960		115	1865	1925	36/34		1990	1825	64	30		24	5	368	39	0	258
HSN2000	1728	2178	1825	144	2110	1891	48	33	1998	2002	132	12	12	30	16	109	120	+0.5	1176
HSN2070	1910.2	2260		140	2180	1995	48		2066	2074	100	40	6	20	10	192	100	+0.5	862
HSN2211	2032	2335		124	2280	2144	64	22	2208	2214	80	20	6	20	14	147	100	0	633
HSN2240	1984	2411		109	2345	2135	48	33	2242	2238	99	9	8	30	16	125	100	+0.5	961
HSN2240R	1990.4	2418	2065	144	2350	2131	48	33	2242	2238	132	12	8	30	16	125	120	+0.5	1393
HSN2240RM	1987.2	2418	2065	144	2350	2131	48	33	2242	2238	132	12	8	30	18	111	120	+0.5	1393
HSN2249	2023.4	2410		132	2358	2140	36	22	2246	2252	122	9	4	20	14	146	123	0.245	1115

# Internal-toothed Single Four Point Contact Slewing Bearings



NOTE:

1. n1 is the number of lubricating oil holes, the customer can specify the location of oil holes according to the use situation.
2. n-φ can be changed into thread hole, thread diameter M, thread depth 2M.
3. The specifications in this sample are standard products, please contact SINOFOLIV for any other special requirements.

Bearing Part Number	Boundary Dimensions				Mounting Hole Dimensions					Configuration Dimensions						Gear Parameter				Weight kg
	De	D	d	H	D1	D2	n	φ		D3	d1	H1	h	n1	M	m	Z	b	x	
	mm				mm					mm										
HSN2335	2230	2404	2256	120	2270	2410	42/40		2470	2231.4	74	18		20	5	448	45	0	516	
HSN2490	2240	2661		109	2595	2385	54	33	2492	2488	99	9	9	30	16	141	100	+0.5	1053	
HSN2500	2239.2	2678	2325	144	2610	2391	56	33	2502	2498	132	12	8	30	18	125	120	+0.5	1580	
HSN2500M	2228	2678	2325	144	2610	2391	56	33	2502	2498	132	12	8	30	20	112	120	+0.5	1580	
HSN2660	2323	2880		178	2810	2510	60	39	2664	2656	161	17	4	36	18	131	161	0	2373	
HSN2675	2590	2750	2616	119	2634	2744	48/38		2784	2600	72	26	3	20	5	520	45	0	431	
HSN2786	2544.38	2942	2622	155	2890	2683	48	26	2784	2789	125	30	24	24	16	160	115	+0.5	1410	
HSN2796	2515.2	3000	2590	152	2922	2670	72	39	2794	2798	134	20	12	36	16	158	131	+0.5	2033	
HSN2800	2502	2978	2625	144	2910	2691	60		2809	2791	132	12	8	30	18	141	117	0	1776	
HSN2840	2622.4	2990	2735	160	2945	2770	48	23	2835	2820	135	5	8	20	22	121	144	0	1442	
HSN3150	2828	3376	2922	174	3286	3014	56	45	3152	3147	162	12	8	42	20	142	150	+0.5	2840	
HSN3150M	2824.8	3376	2922	174	3286	3014	56	45	3152	3147	162	12	8	42	22	129	150	+0.5	2840	
HSN3803	3564	3939	3651	105	3895	3711	60	22	3807	3799	82	10	15	20	18	199	90	+0.5	1430	